

# ÜBERSICHTSZEICHNUNG ASSEMBLY DRAWING

**GHOST**



E-RIOT (MY21)

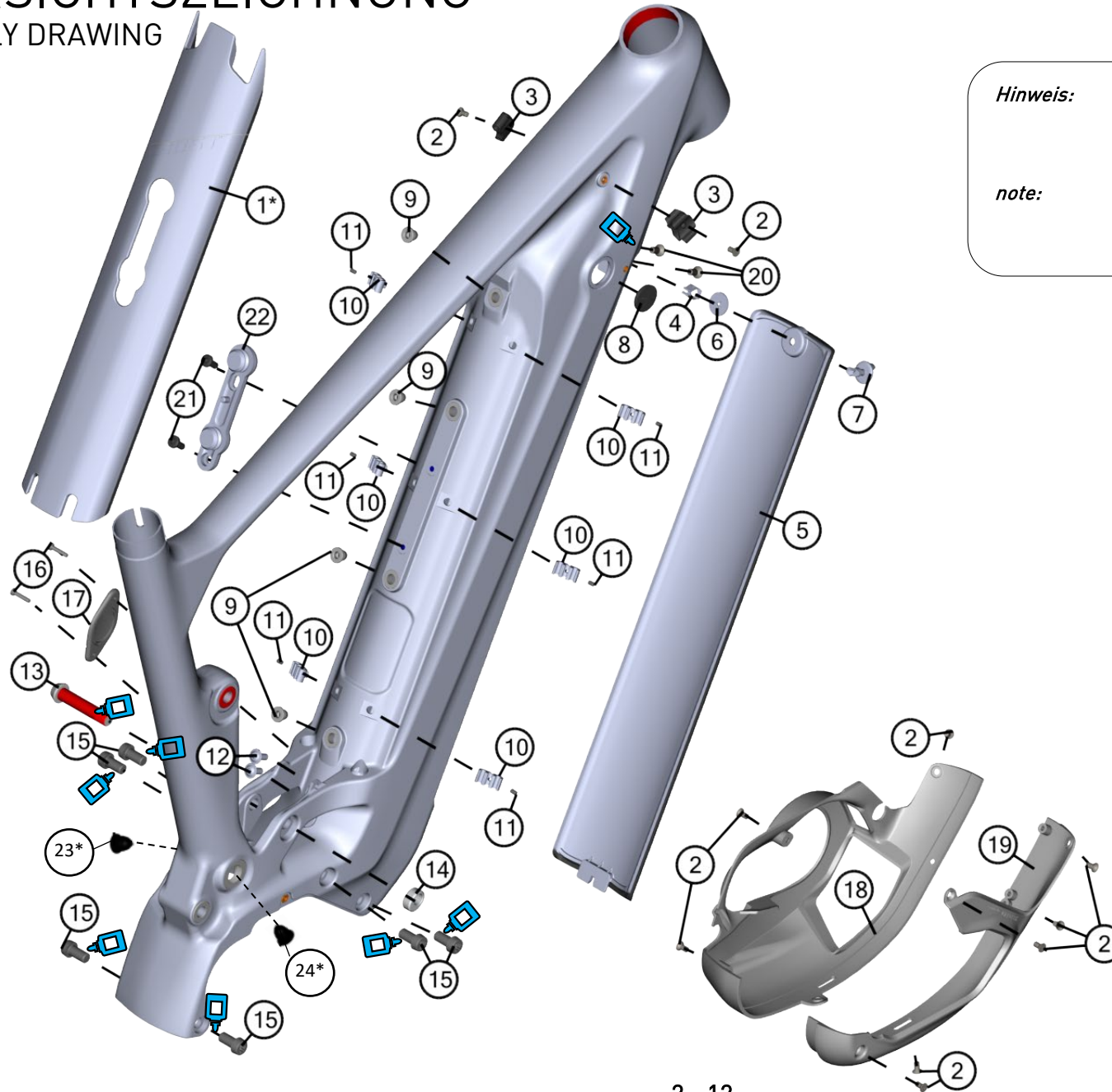
2020-05-19

V01

# ÜBERSICHTSZEICHNUNG

## ASSEMBLY DRAWING

# GHOST



**Hinweis:**

Bei den Schrauben muss mittelfeste Gewindesicherung verwendet werden.  
**Rote Flächen müssen gefettet werden.**

**note:**

use medium strength screw lock for screw threads.  
**red surfaces have to be greased.**



medium strength screwlock

# ÜBERSICHTSZEICHNUNG

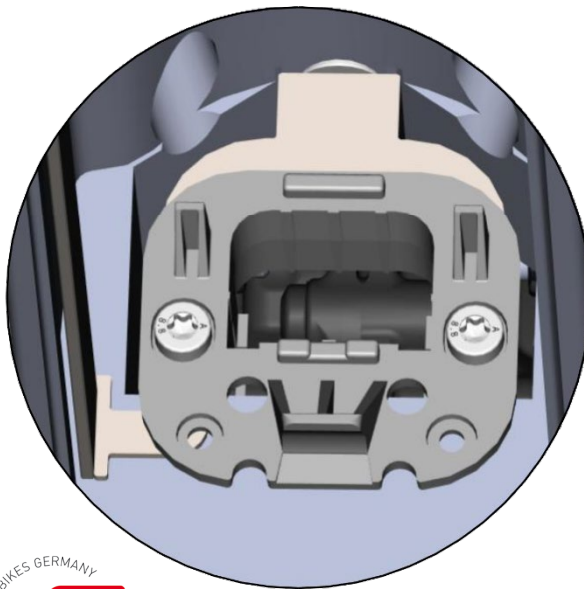
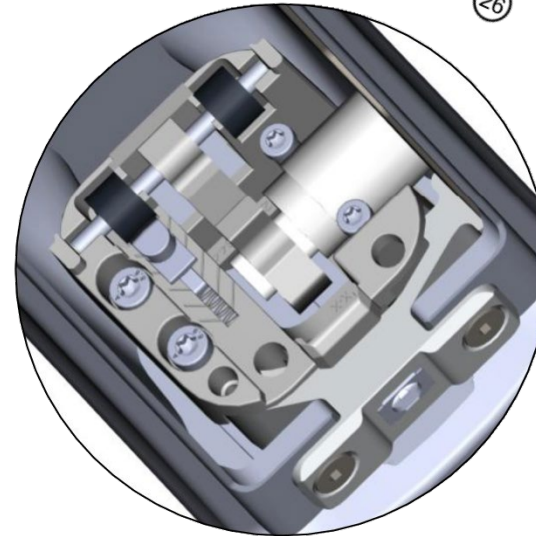
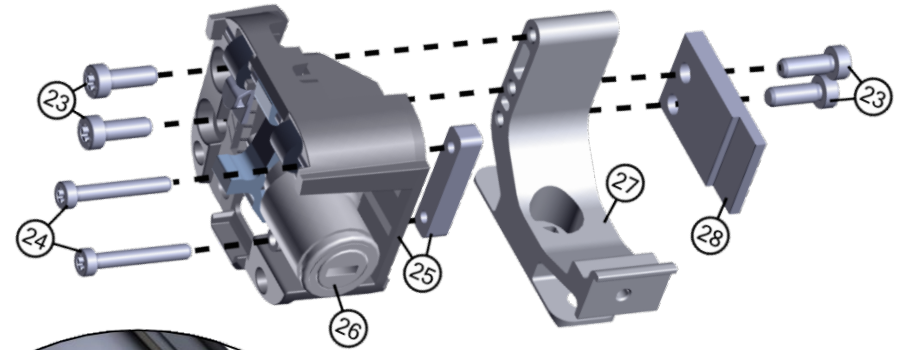
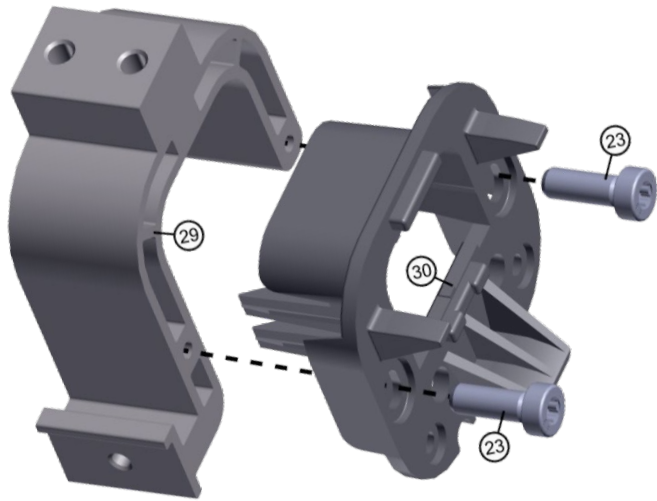
ASSEMBLY DRAWING

**GHOST**

BOM-ID	Item no.	Description	Specification	Torque	QTY
1*	FRPR0059	cable cover <b>framesize s</b>			1
1*	FRPR0060	cable cover <b>framesize m</b>			1
1*	FRPR0061	cable cover <b>framesize xl / l</b>			1
2	FRSC0090	countersunk screw	HEX 2,5 – M4 x 8 mm	3 Nm	10
3	FROT0176	cable guide headtube			2
4	FROT0046	klammer			1
5	FRPR0062	battery cover			1
6	FROT0047	haltescheibe			1
7	FROT0048	verschlussbolzen			1
8	FROT0188	rubber plug for lock			1
9	FROT0161	snaplock coupling			4
10	FRPR0065	cable clip			6
11	FRSC0089	grub screw	HEX 1,5 – M3 x 5 mm	-	6
12	SM0919	lens head screws	T25 – M5 x 12 mm	5 Nm	2
13	FRSC0103	lower shock mount axle		17 Nm	1
14	FRNT0053	lower shock mount nut			1
15	FRSC0097	bosch screw	T40 – M8 x 16 mm	20 Nm	6
16	FRSC0071	lens head screws	T10 – M3 x 16 mm	0,5 Nm	2
17	FROT0097	charge socket cover			1
18	FRPR0063	motor cover left			1
19	FRPR0064	motor cover right			1
20	SM0920	countersunk screw	T25 – M5 x 12 mm	5 Nm	2
21	SM1189	lens head screw	HEX 3 – M5 x 10 mm	5 Nm	2
22	FROT0203	fidlock base			1
23*	FROT0173	cover plug left			1
24*	FROT0226	cover plug right			1

# ÜBERSICHTSZEICHNUNG ASSEMBLY DRAWING

**GHOST**

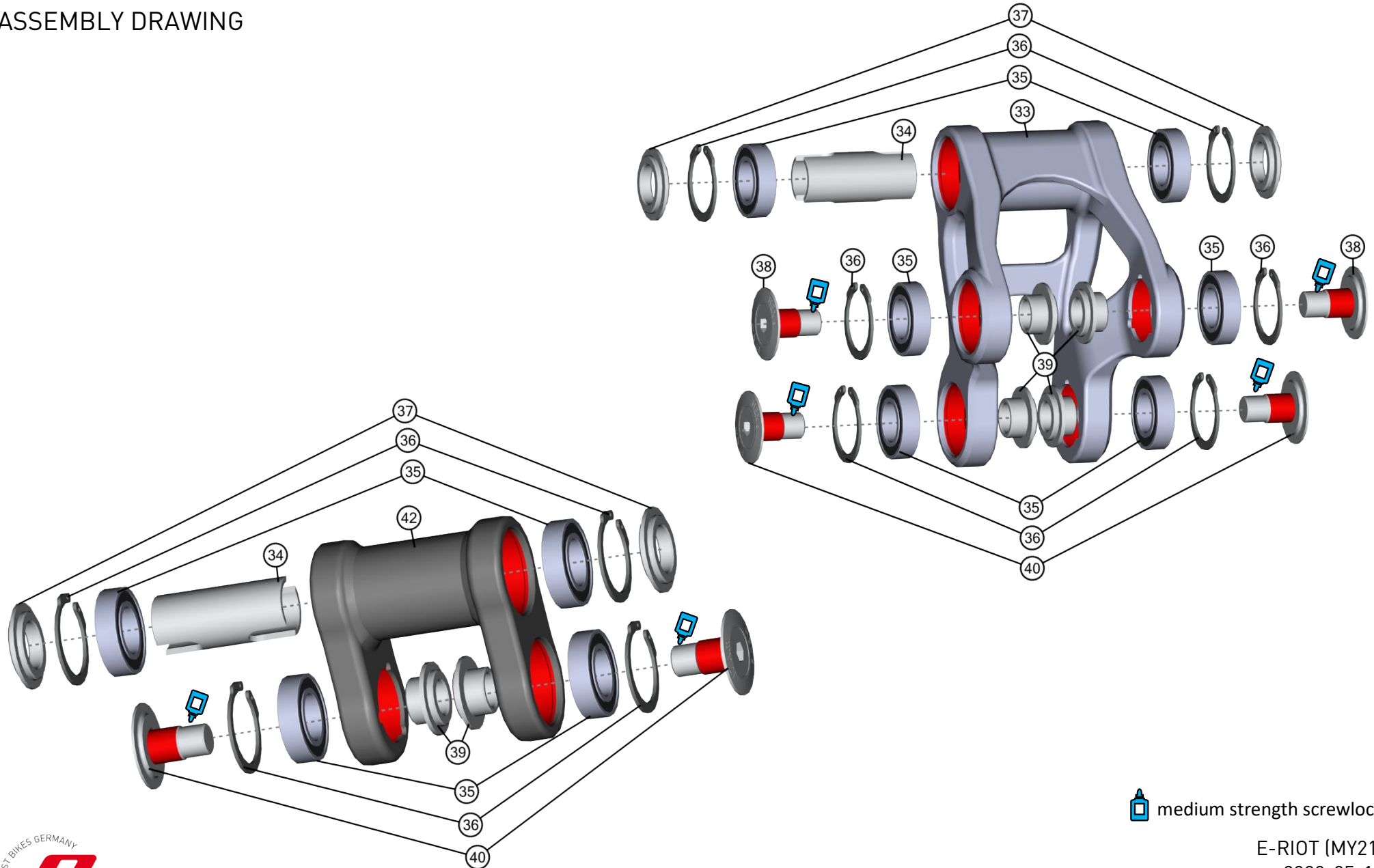



BOM-ID	Item no.	Description	Specification	Torque	QTY
23	FRSC0091	Bosch screw	T25 - M5 X 14 mm	5 Nm	6
24	FRSC0092	Bosch lock screw	T20 - M4 X 27 mm	4 Nm	2
25	EL0282	Bosch lock assembly			1
26	EL0243	Abus battery lock			1
27	FROT0165	Battery lock mount			2
28	FROT0163	Bosch support plate			1
29	FROT0167	Battery mount			1
30	FROT0164	Bosch kit cradle, damper plate			1



# ÜBERSICHTSZEICHNUNG ASSEMBLY DRAWING

# GHOST



 medium strength screwlock

E-RIOT (MY21)  
2020-05-19  
V01

# ÜBERSICHTSZEICHNUNG

## ASSEMBLY DRAWING

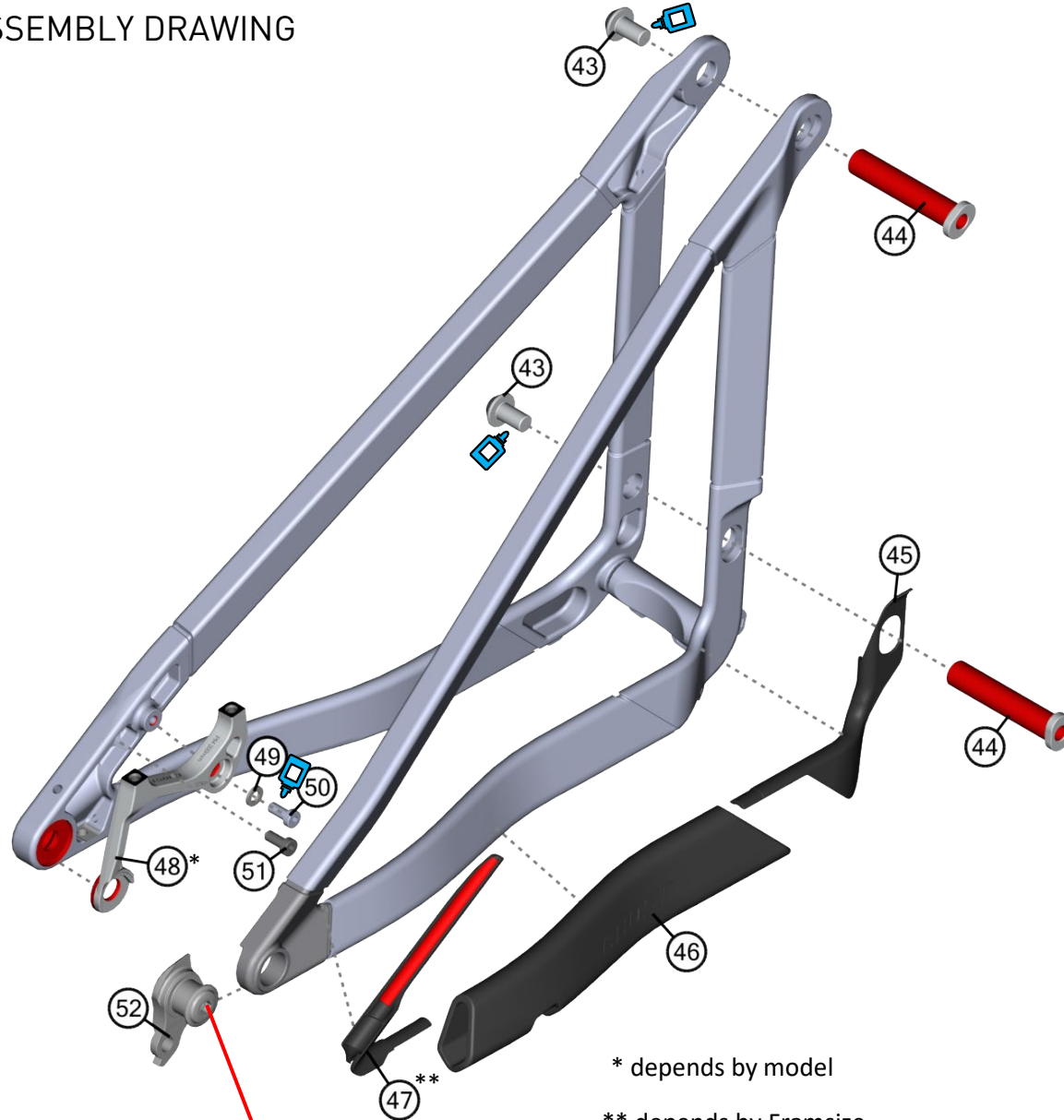
**GHOST**

BOM-ID	Item no.	Description	Specification	Torque	QTY
33	FRRO0001	Upper rocker link			1
34	FRSP0002	Link pivot bushing - csy & ssy			2
35	FRBR0001	Bearing 6902V-2RS	28mm x 15mm x 7mm		10
36	FRWS0042	Circlip	IRTW-28		10
37	FRWS0041	Bearing spacer - link pivot csy & ssy			4
38	FRSC0107	Shock Mount Screws		17 NM	2
39	FRSP0001	Bearing spacer - link pivot st & shock			6
40	FRSC0024	Screws		22 Nm	6
42	FRRO0002	Link			1

# ÜBERSICHTSZEICHNUNG


ASSEMBLY DRAWING

# GHOST



Don't grease the thread !

\* depends by model  
\*\* depends by Framsize

 medium strength screwlock

E-RIOT (MY21)  
2020-05-19  
V01

# ÜBERSICHTSZEICHNUNG

## ASSEMBLY DRAWING

# GHOST

BOM-ID	Item no.	Description	Specification	Torque	QTY
43	FRSC0106	Link Pivot Screw – csy&ssy	M10 x 1,0	22 Nm	2
44	FRAX0008	Link Pivot Axle – csy&ssy			2
45	FRPR0054	Chainstay yoke protector riot			1
46	FRPR0053	Chainstay protector			1
47**	FRPR0066	Chainstay/Seatstay protector <i>FRAMESIZE S</i>			1
47**	FRPR0055	Chainstay/Seatstay protector <i>FRAMESIZE M-XL</i>			1
48*	FROT0112	Disconnect Brakemount <b>PM 180 mm</b>			1
48*	FROT0158	Disconnect Brakemount <b>PM 200 mm</b>			1
48*	FROT0159	Disconnect Brakemount <b>PM 203 mm</b>			1
49	SM1243	Shim	D 6,4		1
50	SM1693	Screw	HEX 4 – M6 x 14 mm	10 Nm	1
51	FRSC0102	Lens head screw for speedsensor	HEX 3 – M5 x 8 mm	5 Nm	1
52	FRHG0061	SRAM UDH Hanger Set with shim and nut	<b>Don't grease the thread !</b>	25 Nm	1

\* depends by model

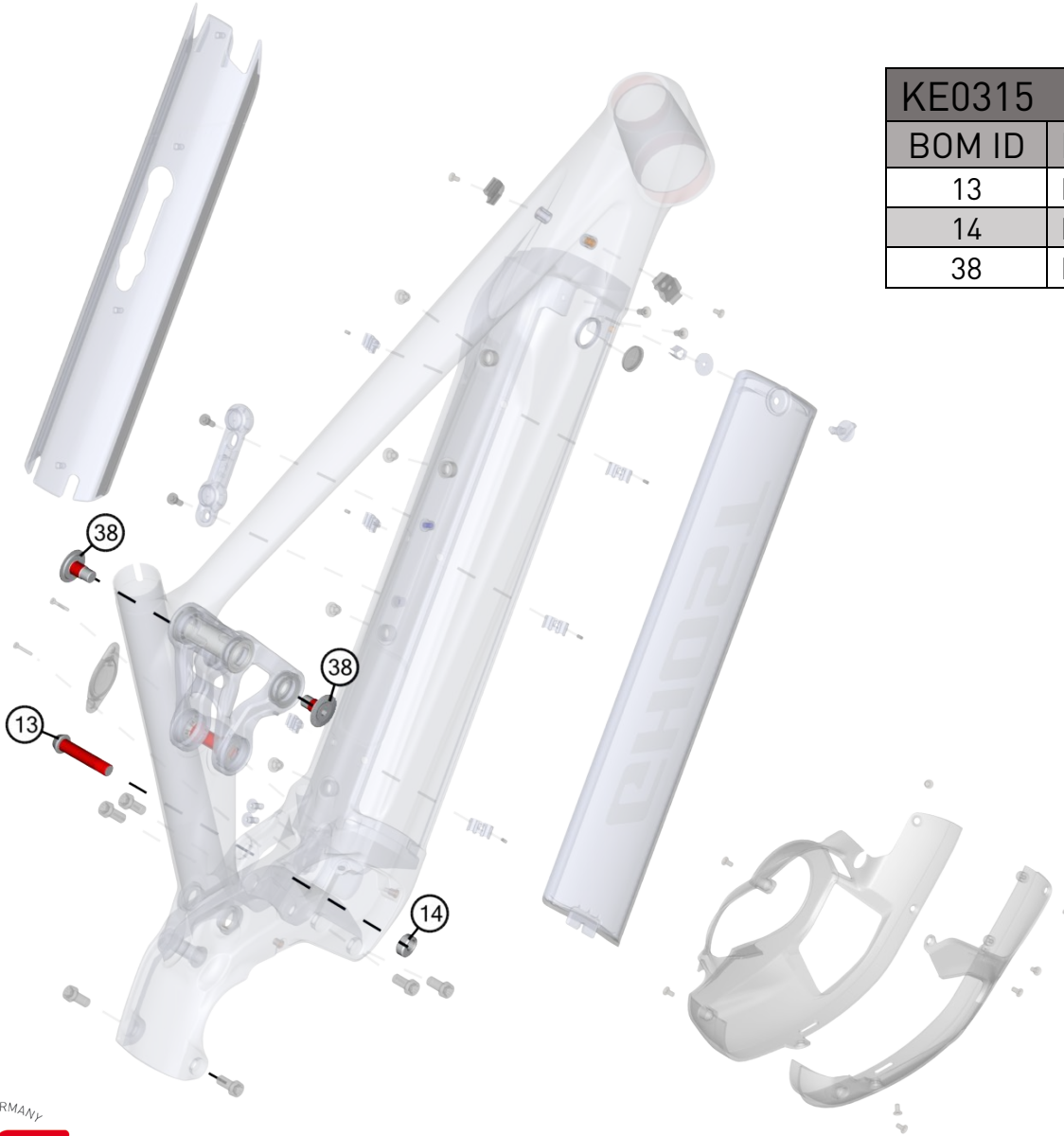
\*\* depends by Framsize



# ÜBERSICHTSZEICHNUNG

## ASSEMBLY DRAWING

**GHOST**

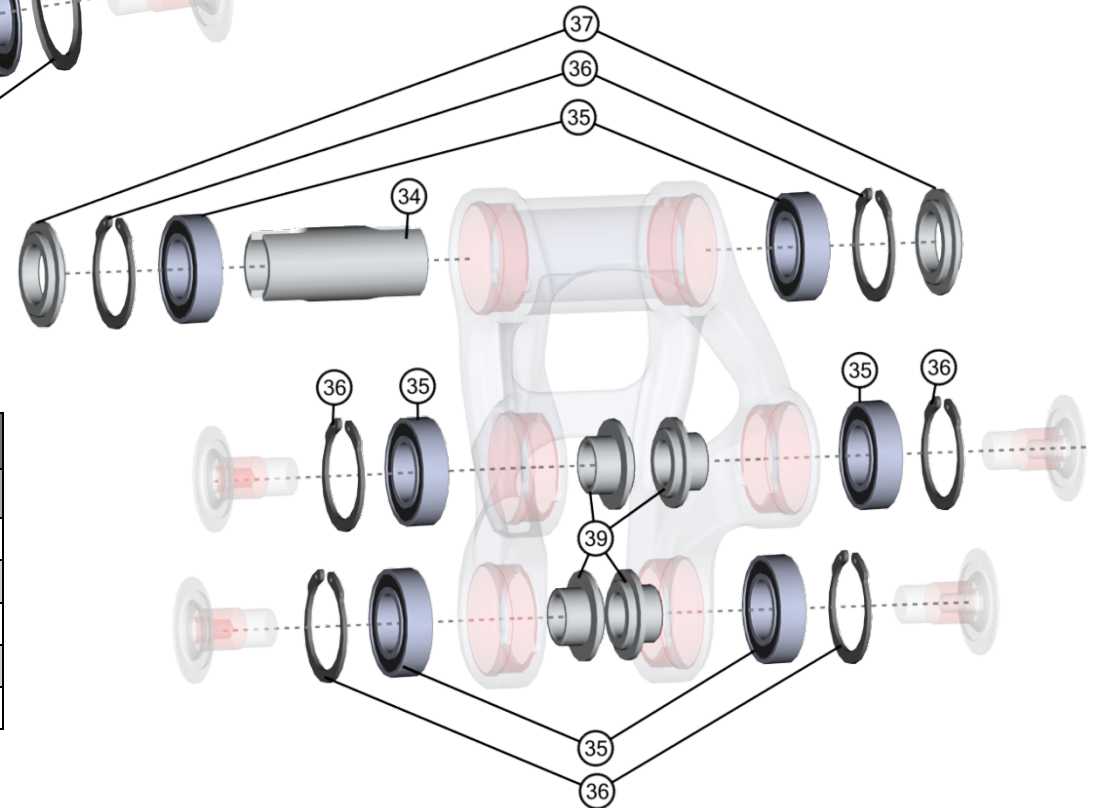
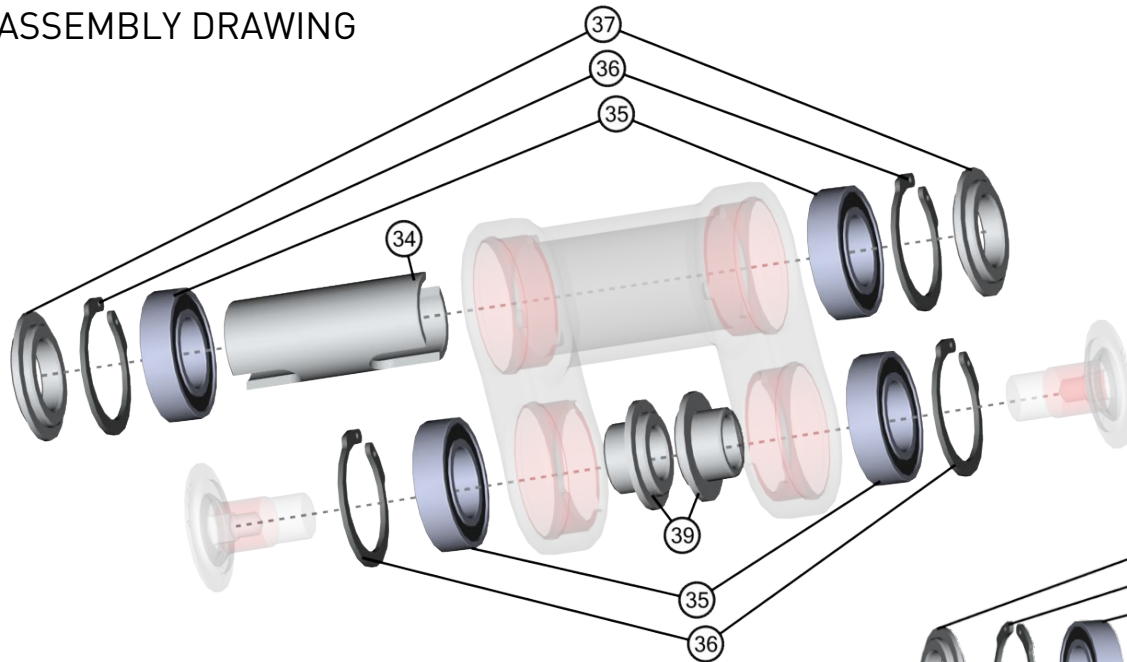


KE0315 Shock Axle Kit				
BOM ID	Item No	Description	Torque	QTY
13	FRSC0103	Lower shock mount axle	17 Nm	1
14	FRNT0053	Lower shock mount nut		1
38	FRSC0107	Shock mount screws	17 Nm	2

# ÜBERSICHTSZEICHNUNG

## ASSEMBLY DRAWING

**GHOST**

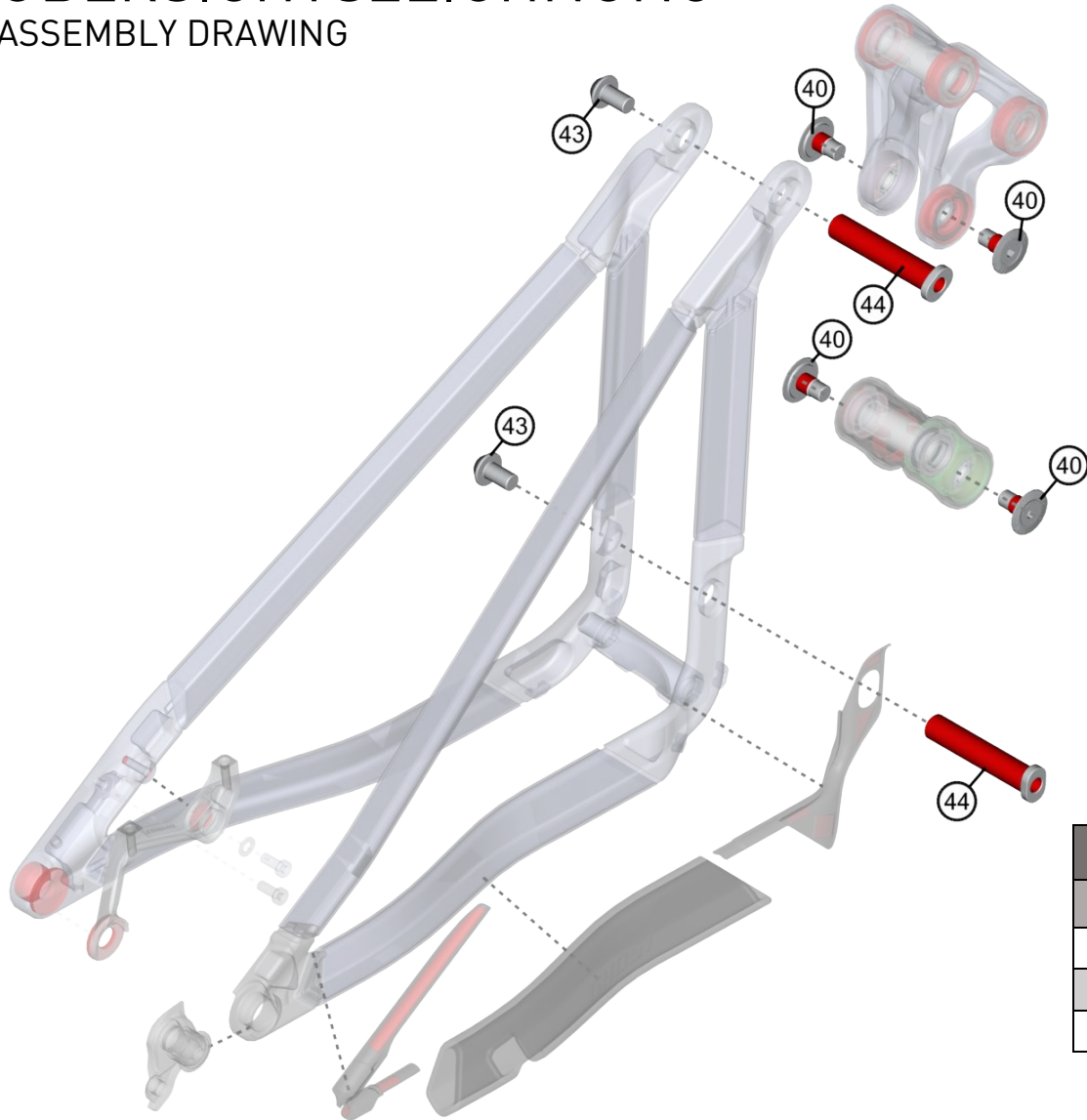


KE0316 Bearing Kit				
BOM ID	Item No	Description	Torque	QTY
34	FRSP0002	Link Pivot Bushing		2
35	FRBR0001	Bearings		10
36	FRWS0042	Circlip		10
37	FRWS0041	Bearing Spacer		4
39	FRSP0001	Bearing Spacer		6

# ÜBERSICHTSZEICHNUNG

## ASSEMBLY DRAWING

**GHOST**



KE0314 Axle & Screw Kit				
BOM ID	Item No	Description	Torque	QTY
40	FRSC0024	Screws	22 Nm	4
43	FRSC0106	Link Pivot Screw	22 Nm	2
44	FRA00008	Link Pivot Axle		2

Kit includes not Axles & Screws for Shock Mount

# ÜBERSICHTSZEICHNUNG

ASSEMBLY DRAWING

**GHOST**

## Datenblatt

Fact Sheet

HEADSET	TOP: ZS44	BOTTOM: ZS56
SEATPOST DIAMETER	34.9 MM	
CLAMP INNER DIAMETER	38.0 MM	
SHOCK LENGTH	185 MM	
SHOCK TRAVEL	55 MM	
SHOCK HARDWARE TOP	TRUNNION	
SHOCK HARDWARE BOTTOM	30MM x 10	
BRAKEMOUNT TYPE	POST MOUNT	
DISC SIZE (MIN)	180 MM	
REAR AXLE (X12)	148 MM (BOOST)	
KICKSTAND	KSA18 (Adapter)	
ISCG STANDARD	BOSCH STANDARD	
CARRIER MOUNT	NO	
DROPPER SEATPOST READY	YES	
WATERBOTTLE MOUNT	1	
WATERBOTTLE SIZE		
FRAMESIZE S _____	FIDLOCK 0,45L	
M _____	FIDLOCK 0,45L	
L _____	FIDLOCK 0,6L	
XL _____	FIDLOCK 0,6L	

MAXIMUM PERMISSIBLE TOTAL WEIGHT	120 KG
MAXIMUM TIRE WIDTH	2.6
WHEEL SIZE	27.5"   29"
MOTOR	BOSCH GEN 4
BATTERY	BOSCH PT 625 WH
DISPLAY	BOSCH PURION